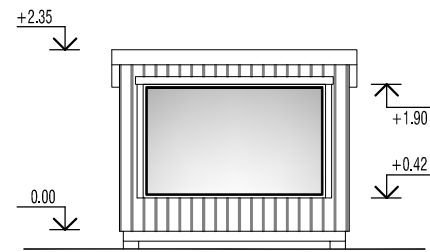
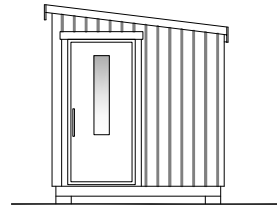


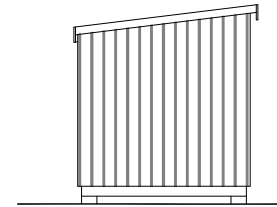
### ELEVATION a



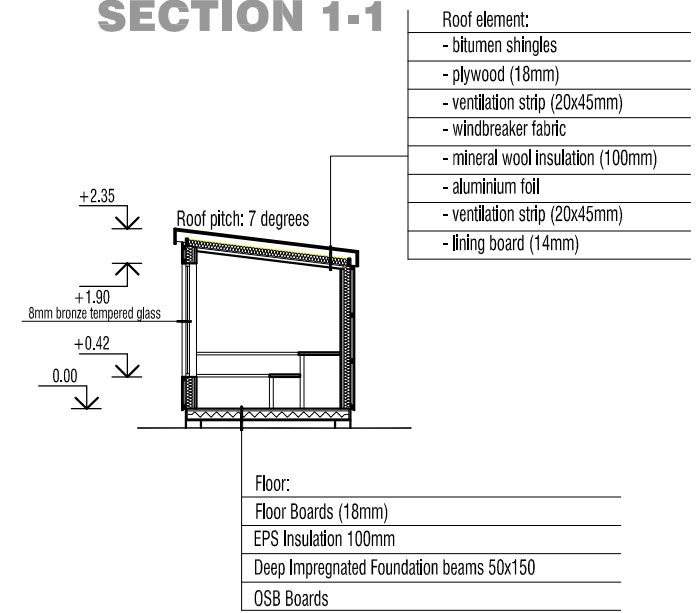
### ELEVATION b



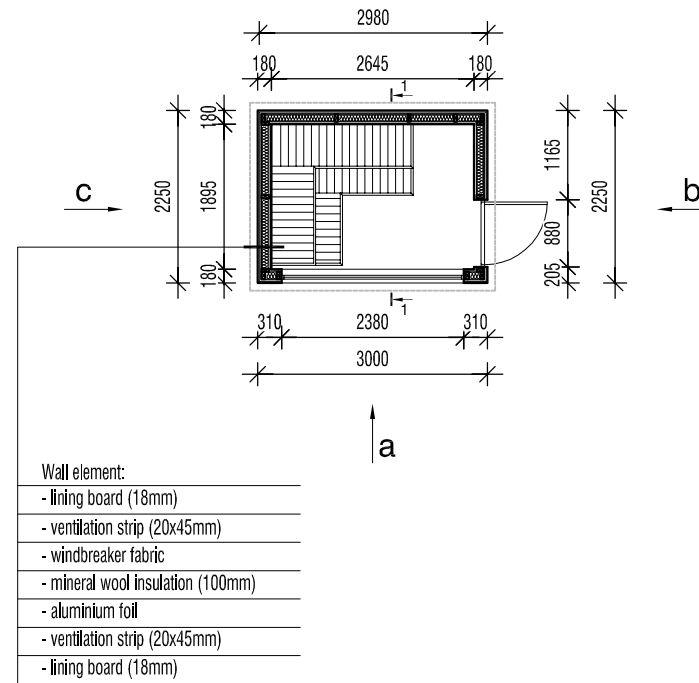
### ELEVATION c



### SECTION 1-1



### FLOOR PLAN



FIRST FLOOR HEIGHT APPOINTMENT OF A CONSTRUCTION SITE  
FIRST FLOOR +0.00

- 1. ROOFING CLOUR
- 2. WALL PANEL COLOUR

Outer dimension: 2,4 x 3,2m; Inner dimensions: 1,9 x 2,65m  
Ridge height: 2.5m

Glass panel (1760 x 1480mm); 8mm bronze tempered glass

Door measures (900x1900)

MUNICIPALITY/ VILLAGE	PROPERTY	<b>PRE-ASSEMBLED SAUNA „ KALLE“</b>	
STAGE	<b>NEW CONSTRUCTION</b>	SHEET NAME	SHEET.n:o
BUILDING ADDRESS		<b>THE MAIN DRAWING</b>	<b>1</b>
PROJECT INFORMATION COMPILED	DRAWINGS	SCALE	
<b>PEETER AUNAPU 14.07.2021</b>	ELEVATION a; b; c CROSS SECTION 1-1 FLOOR PLAN	<b>1 : 100</b>	
construction engineer	DRAWING NUMBER WORK NUMBER	<b>Af 1407/21-en</b>	MODIFICATION