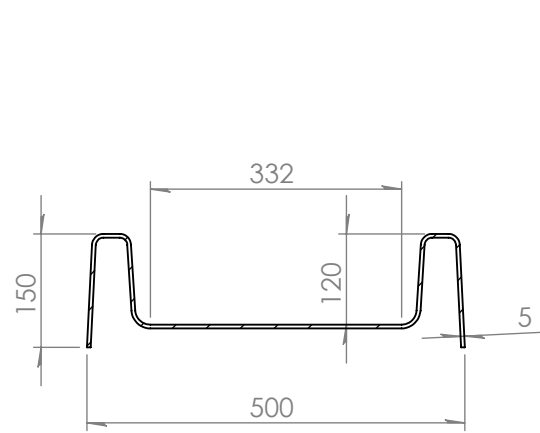
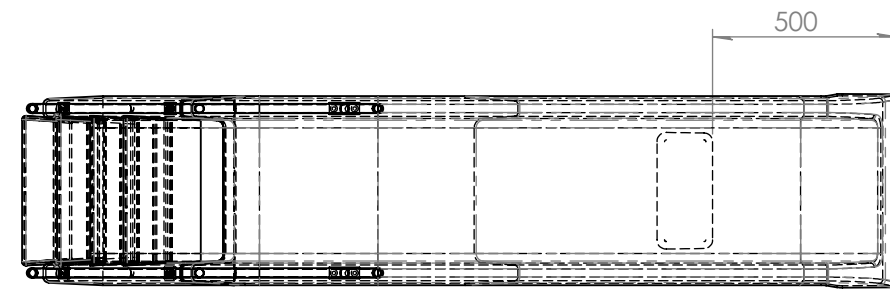
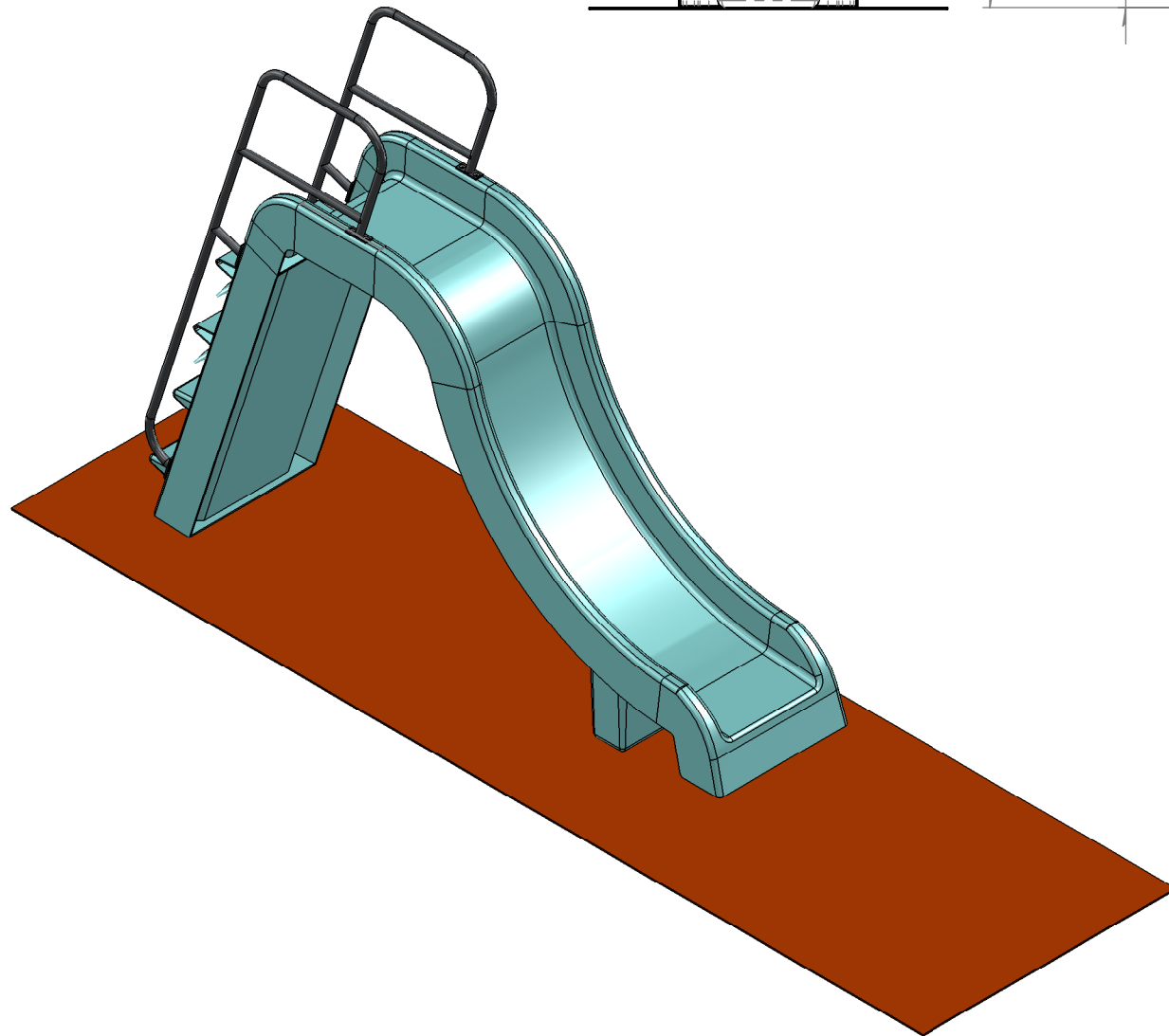
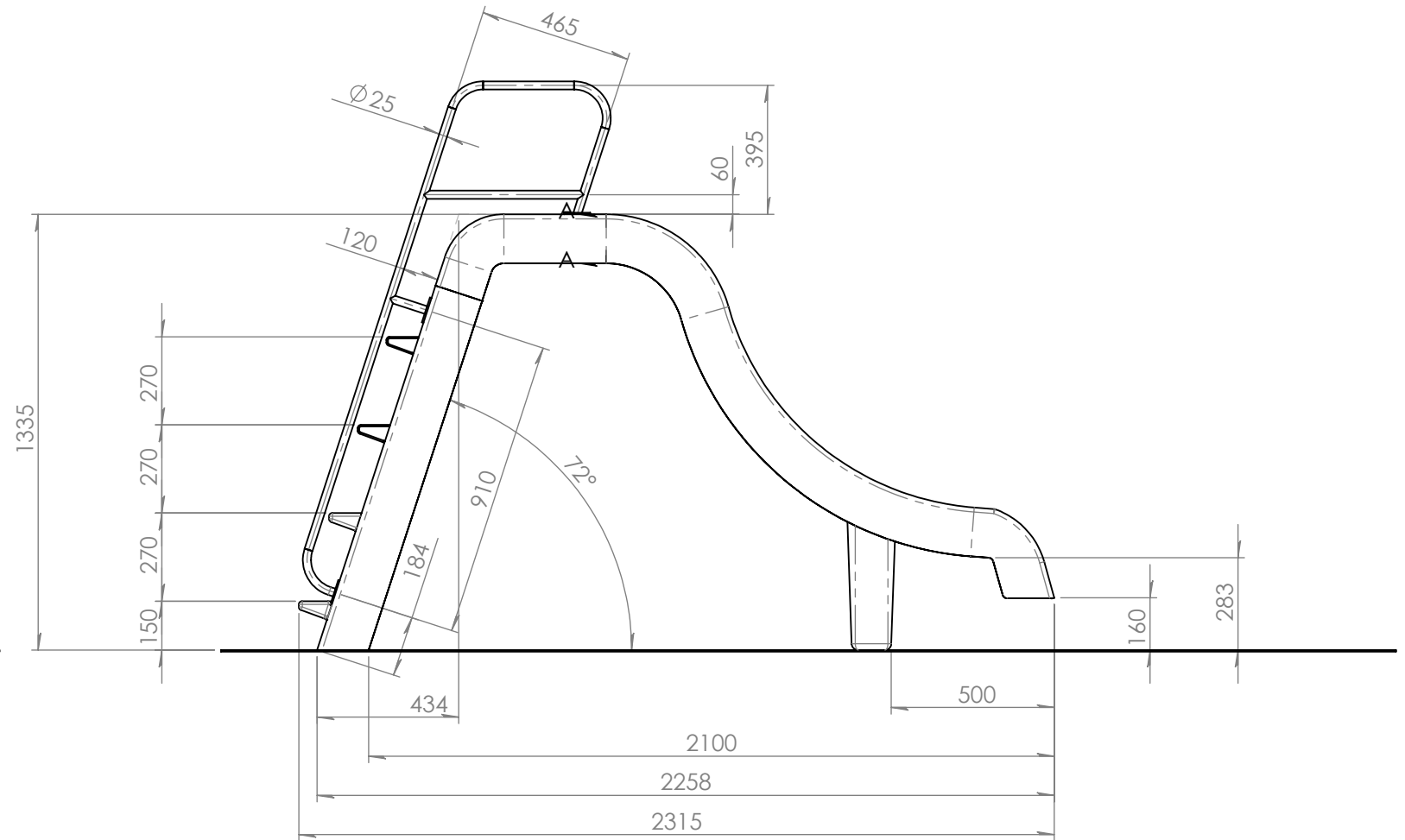
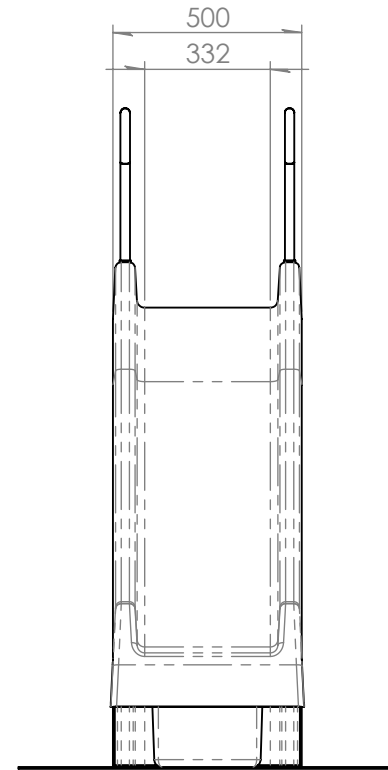


REVISIONS				
ZONE	REV.	DESCRIPTION	DATE	APPROVED
	A		30-06-2015	
	B	Measurements corrected	29-07-2015	



SECTION A-A
SCALE 1 : 10



FINISH:		DEBUR AND BREAK SHARP EDGES		DO NOT SCALE DRAWING		REVISION B	
DRAWN		SIGNATURE		DATE		TITLE:	
PMJ				30-06-2015		Welldana A/S	
CHK'D						Slide straight	
APPV'D						DWG NO. 31-750745	
MFG						Item no. 31-750745	
Q.A				MATERIAL:		A3	
				WEIGHT:		SCALE:1:20	
						SHEET 1 OF 1	