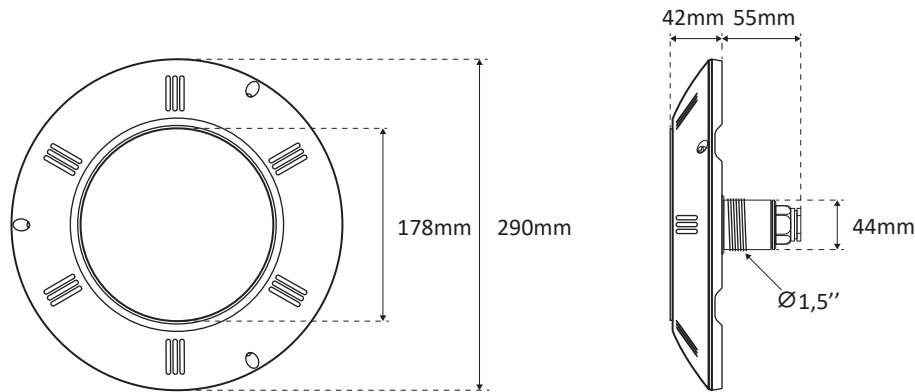




Model : 34-131015  
 Type : 60 LED 2835 / 120°  
 Color : white 6500K  
 Control : On/Off  
 Functions : N/A  
 Material : Fixture and lens in polycarbonate (PC), ring in ASA  
 1,5" thread to screw in vacuum fitting  
 Wire connection : 2 screw terminals  
 2 meters HO7RNF wire 2x1,5mm<sup>2</sup>  
 HS code : 9405403990  
 Bar code : 3700450502860  
**Contents of the packaging :**

- Flat LED Projector
  - 1 white crown
  - 2 heat shrinkable connectors
  - 2 gaskets
  - 1 H07RNF cable 2x1,5mm<sup>2</sup>
  - Inground pool installation kit
  - 5 nylon screws
  - Usage and maintenance manual
- Option :**
- Above ground pool installation kit

### DIMENSIONS

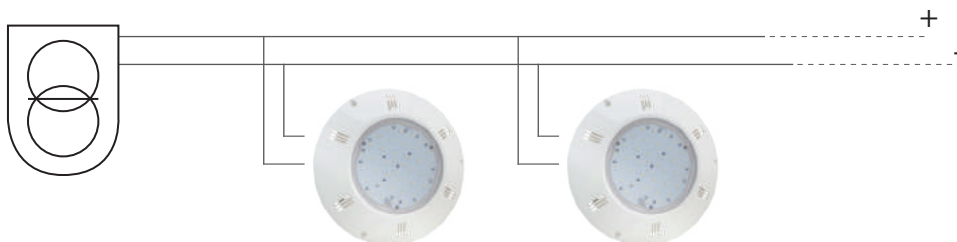


### PACKING

Part Number	Box	Weight	Size	Carton	Weight	Size	Pallet	Weight	Size
34-131015	1U	1,62kg	30x30x11,5cm	5U	8,1kg	60x32x32cm	180U	316kg	100x120x207cm

### CONNECTION

Use a 2 x 1mm<sup>2</sup> minimum cross section of connecting cable, to adapt according to the distance between the junction box of the projector and the transformer well as the power input.

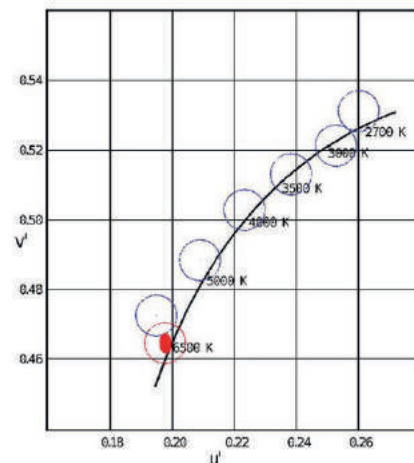
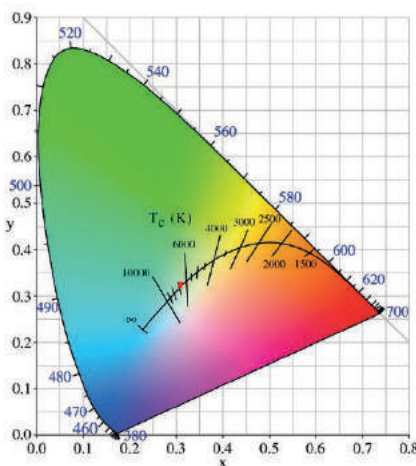
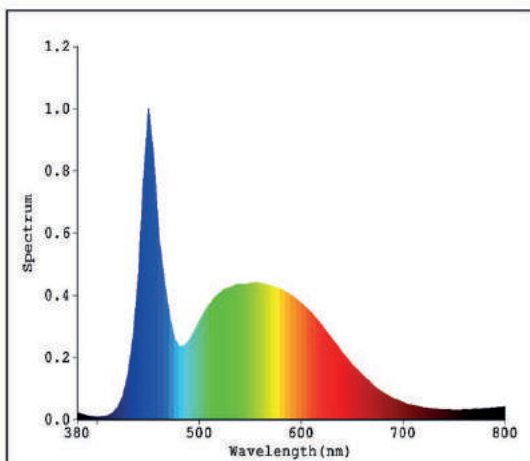


~12V(AC)  
or ~20V(DC)

USE ONLY WITH A SAFETY TRANSFORMER / DO NOT PLUG IN SERIES /  
PROTECT THE CONNECTOR WITH INSULATING GEL

PHOTOMETRY

(Measurements performed in laboratory; \* measurements made in water immersion)



Color temperature : white 6500K  
 Ra (IRC) : 86\*  
 Diffusion angle : 120°  
 Nominal luminous flux: 1650 lumens\*  
 Useful luminous flux (angle 120°) : 1450 lumens\*

ELECTRICAL PARAMETERS

Max instant power : 13,50W\*  
 Stabilized power >1h : 13,50W\*  
 Power voltage : ~12V(AC) 50/60Hz or ~20V(DC)  
 PF max : 0,7 si ~12V(AC)  
 PF max : 1 si ~20V(DC)  
 Mini power supply ~12V(AC) [(Pi / PF)+20%] : 23VA  
 Electrical Class : III  
 EEI : 0,14

**Instant Full Light**

**CLASS III** ~12V(AC)  
~20V(DC)

OTHER PARAMETERS

Protection index : IP68\*  
 LED life span: > 10 000h  
 On/Off Cycles : > 100 000  
 Use : permanent under water use only

**>100 000**

USE ONLY IN OUTDOOR POOL  
 LAMP NOT SUITABLE FOR  
 ACCENT LIGHTING

**Hg**  
 00mg

**IP68** **1,0m**

CERTIFICATION

EMC 2014/30/EU Directive.  
 EN60598-1 / EN60598-2-18 Norm in all its modifications.



Welldana A/S  
 Randersvej 6 · DK-6700 Esbjerg  
 Phone +45 75 27 23 33  
 Fax +45 75 27 21 11  
 E-mail: info@welldana.com  
 www.welldana.com

