

Super Pump® Pro

YEARS OF WARRANTY



* Except for SP1606XE81

Proven reliability, especially imagined for professionals

- **Heavy duty, high performance** motor for quieter operation
- Extended-life Viton® pump seal for improved **resistance against chemicals**
- **Easy maintenance:** large basket and exclusive swing-away hand knobs - no tools required
- **Easy to install:** union kit included
- Direct replacement of former 2" Super Pump® without any installation modification
- Recommended for pools **up to 100 m³**



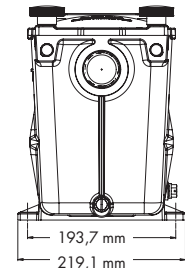
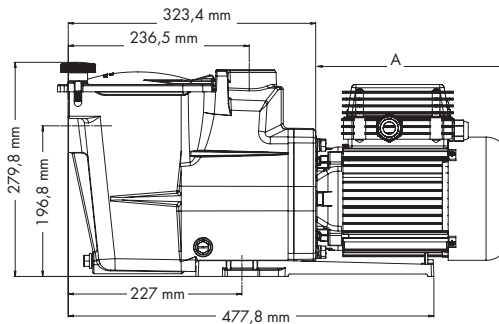
EXPERT LINE



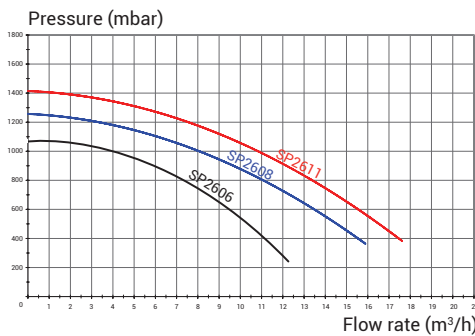
Union kit included



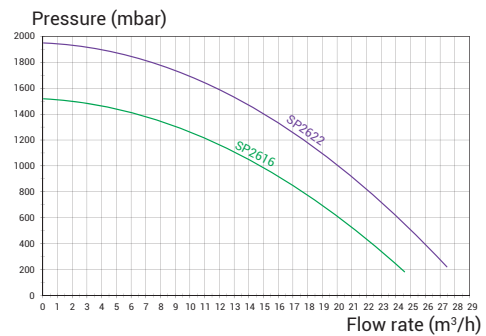
See-through strainer cover



➤ Unions 50 mm



➤ Unions 63 mm



	Type	Dim. A	Weight	Flow rate*	I/O	Unions	Input Power P1	Output Power P2	Amperage	Item
SINGLE PHASE SUPER PUMP® PRO	1/2 HP	183 mm	14 kg	7.5 m³/h	2"	2"/50 mm	870 W	550 W	3.6 A	SP2606XY81
	3/4 HP	183 mm	14 kg	11 m³/h	2"	2"/50 mm	870 W	550 W	3.6 A	SP2608XY111
	1 HP	213 mm	15 kg	13.5 m³/h	2"	2"/50 mm	975 W	720 W	4.3 A	SP2611XY161
	1.5 HP	213 mm	15 kg	18 m³/h	2"	2"/63 mm	1100 W	790 W	5 A	SP2616XY221
	2 HP	232 mm	16 kg	22 m³/h	2"	2"/63 mm	1500 W	1115 W	7.25 A	SP2622XY251
THREE PHASE SUPER PUMP® PRO	1 HP	213 mm	14 kg	13.5 m³/h	2"	2"/50 mm	900 W	750 W	2.8/1.6 A	SP2611XY163 IE3 ✓
	1.5 HP	213 mm	14 kg	18 m³/h	2"	2"/63 mm	900 W	750 W	2.8/1.6 A	SP2616XY223 IE3 ✓
	2 HP	232 mm	16 kg	22 m³/h	2"	2"/63 mm	1 330 W	1 100 W	4/2.3 A	SP2622XY253 IE3 ✓

* under 8 m water column pressure